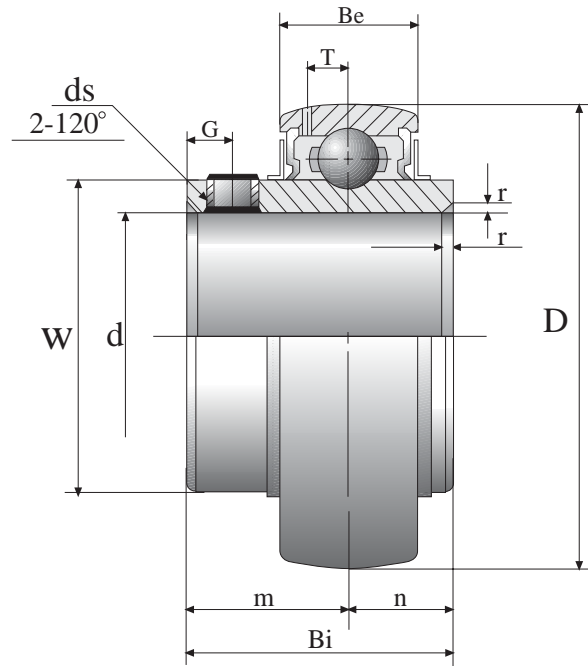


UC 200

STEEL BEARING INSERT



| UNIT NUMBER | SHAFT DIAM. | DIMENSIONS (mm) | | | | | | | | | | WEIGHT (kg) | BASIC LOAD RATING (N) | |
|-------------|-------------|-----------------|------|----|-----|------|------|-----|----------|-----|------|-------------|-----------------------|------------|
| | mm | D | Bi | Be | r | n | m | G | ds | T | W | | DYNAMIC Cr | STATIC Cor |
| UC201 | 12 | 47 | 31 | 17 | 1 | 12.7 | 18.3 | 4.5 | M6X0.75 | 4.5 | 29 | 0.20 | 12850 | 6670 |
| UC202 | 15 | 47 | 31 | 17 | 1 | 12.7 | 18.3 | 4.5 | M6X0.75 | 4.5 | 29 | 0.18 | 12850 | 6670 |
| UC203 | 17 | 47 | 31 | 17 | 1 | 12.7 | 18.3 | 4.5 | M6X0.75 | 4.5 | 29 | 0.18 | 12850 | 6670 |
| UC204 | 20 | 47 | 31 | 17 | 1.5 | 12.7 | 18.3 | 4.5 | M6X0.75 | 4.5 | 29 | 0.16 | 12850 | 6670 |
| UC205 | 25 | 52 | 34 | 17 | 1.5 | 14.3 | 19.8 | 5 | M6X0.75 | 4.5 | 34 | 0.19 | 14028 | 7848 |
| UC206 | 30 | 62 | 38.1 | 19 | 1.5 | 15.9 | 22.2 | 5 | M6X0.75 | 5.1 | 40.5 | 0.30 | 19620 | 11280 |
| UC207 | 35 | 72 | 42.9 | 20 | 2 | 17.5 | 25.4 | 6 | M8X1 | 5.8 | 48 | 0.48 | 25898 | 15400 |
| UC208 | 40 | 80 | 49.2 | 21 | 2 | 19 | 30.2 | 8 | M8X1 | 6.2 | 53 | 0.62 | 29330 | 17950 |
| UC209 | 45 | 85 | 49.2 | 22 | 2 | 19 | 30.2 | 8 | M8X1 | 6.5 | 57.3 | 0.67 | 32860 | 20500 |
| UC210 | 50 | 90 | 51.6 | 23 | 2 | 19 | 32.6 | 9 | M10X1.25 | 6.5 | 63 | 0.78 | 35315 | 23249 |