



MBCTL 200  
MBCTL 200

## STAINLESS STEEL BEARING INSERT



### TECHNICAL DATA

**No corrosion**

**FDA&FSDA approval**

**From 12 to 40 mm**

**Interchangeable with cast iron standard units**

**Maintenance free**

**Temperature work from - 35 to 102 degree**

**Tensile strength at break (ASTM 0630) is an impressive 17.300 PSI**

**Excellent mechanical strength' stiffness & dimension stability**

**Stainless Steel greasers and inserts**

**Solid base prevent dirt & bacteria**

**Reluable**

### OPTIONS

**Close covers**

**Open covers (with Stainless Steel spring)**

**Plastic covers for grease nipple**

**Color**

### BEARINGS INSERT

**Stainless Steel type MB**

**Steel B**

### MATERIAL

**Housing**

**Exclusive PBT**

**Stainless Steel 304 inserts**

**Stainless Steel 304 greaser**

**Cover**

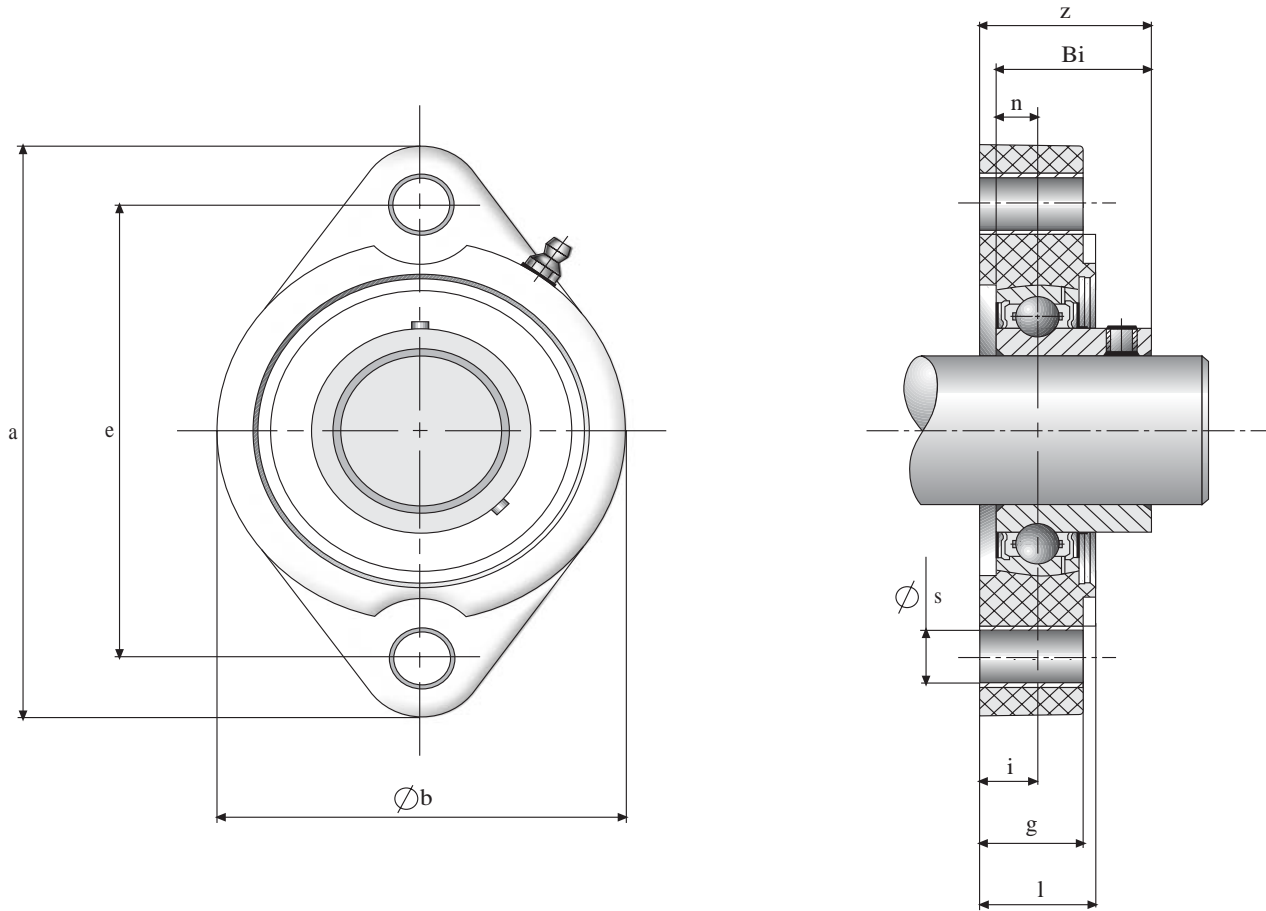
**Polypropylen**

**Stainless Steel ring**

THERMOPLASTIC HOUSED FLANGE

# MBCTL 200

## THERMOPLASTIC UNIT



UNIT NUMBER	SHAFT DIAMETER		DIMENSIONS (mm)										WEIGHT (kg)	max. TORQUE		HOUSING NUMBER	BEARING NUMBER
	mm	inch	a	e	b	g	l	s	z	Bi	n	i		bolt d.	nm		
MBCTL204	20	1/2	90.5	71.4	66.5	18.4	20	9	27	24.7	7	9.5	0.17	M8	15	CTL204	MB204
MBCTL205	25	13/16, 7/8, 15/16, 1	97	76.2	71	18.4	21.2	9	29.5	27	7.5	10.0	0.22	M8	15	CTL205	MB205
MBCTL206	30	11/16, 11/8, 13/16, 11/4	112.5	90.5	84	20.5	23.3	11	33.5	30.3	8	11.5	0.34	M10	20	CTL206	MB206
MBCTL207	35	11/4, 15/16, 13/8, 17/16	126	100	94	22.5	25.3	11	36.5	32.9	8.5	12.5	0.49	M10	25	CTL207	MB207
MBCTL208	40	11/2, 19/16	150	119	100	24	26.8	14	39.5	35.5	9	13.5	0.62	M12	30	CTL208	MB208

MODE OF LOAD	BREAKING POINT TEST				
	204	205	206	207	208
	9900	10100	14000	14300	14700
	9300	11700	11300	11800	11900
	7200	9400	12000	12600	12800