



MUCFCL 200  
MUCFCL 200

## STAINLESS STEEL BEARING INSERT

### TECHNICAL DATA

**No corrosion**

**FDA&FSDA approval**

**From 30 to 35 mm**

**Interchangeable with cast iron standarts units**

**Maintenance free**

**Temperature work from - 35 to 102 degree**

**Tensile strength at break (ASTM 0630) is an impressive 17.300 PSI**

**Excellent mechanical strength' stiffness & dimension stability**

**Stainless Steel greasers and inserts**

**Solid base prevent dirt & bacteria**

**Reluable**

### OPTIONS

**Close covers**

**Open covers (with Stainless Steel spring)**

**Back seals**

**Plastic covers for grease nipple**

**Color**

### BEARINGS INSERT

**Stainless Steel type MUC**

**Stainless Steel type MB**

**Steel UC**

**Steel B**

**Steel Eccentric UG**

**Steel UK**

### MATERIAL

#### Housing

**Exclusive PBT**

**Stainless Steel 304 inserts**

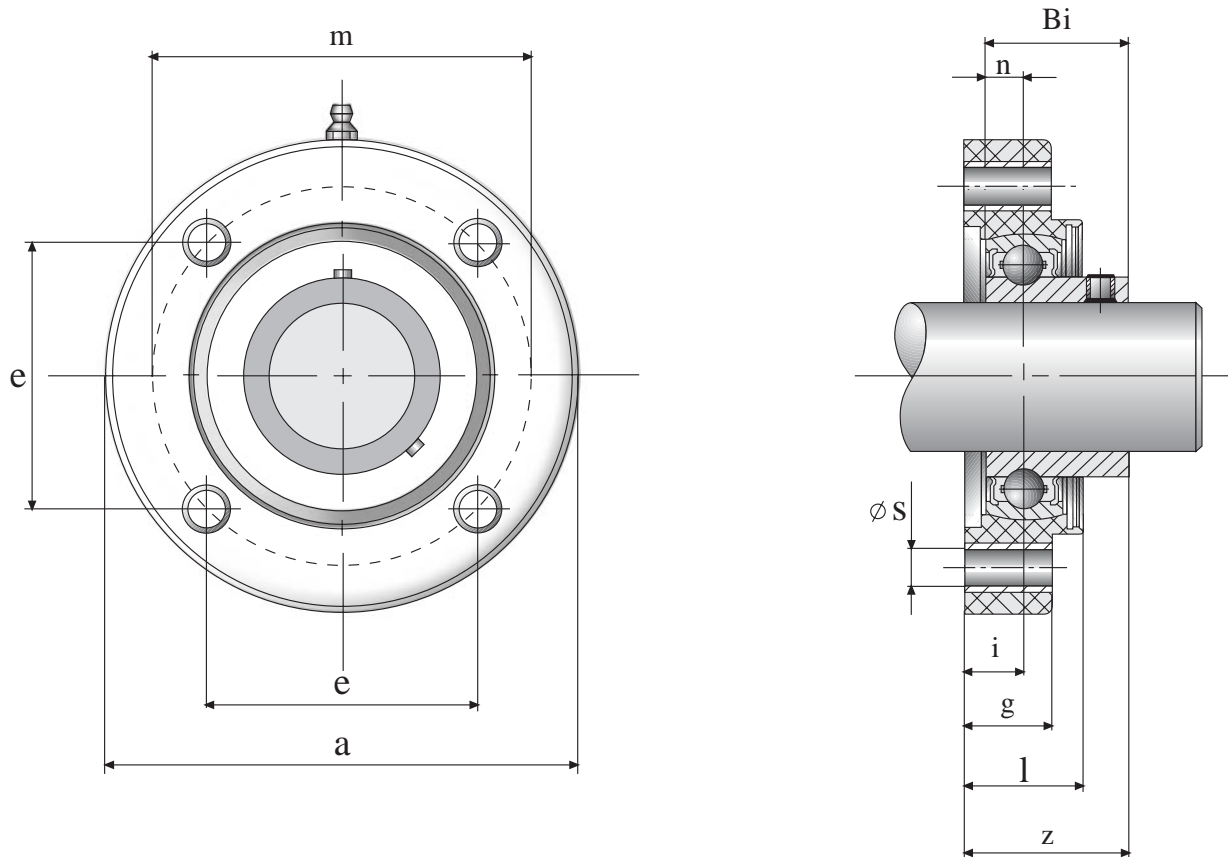
**Stainless Steel 304 greaser**

#### Cover

**Polypropylen**

**Stainless Steel ring**

THERMOPLASTIC HOUSED ROUND FLANGE



UNIT NUMBER	SHAFT DIAMETER		DIMENSIONS (mm)										WEIGHT (kg)	max. TORQUE bolt d. Nm	HOUSING NUMBER	BEARING NUMBER	
	mm	inch	a	e	m	g	l	s	z	i	Bi	n					
MUCFCL206	30	1 1/16, 1 1/8, 1 3/16, 1 1/4	137	78	110	25	32	11	42	20	38.1	15.9	0.9	M10	20	FCL206	MUC206
MUCFCL207	35	1 1/4, 1 5/16, 1 3/8, 1 7/16	137	78	110	25	32	11	44	19	42.9	17.5	1.0	M10	25	FCL207	MUC207

MODE OF LOAD	BREAKING POINT TEST	
	206	207
	18000	18500
	17700	18500
	12000	12600